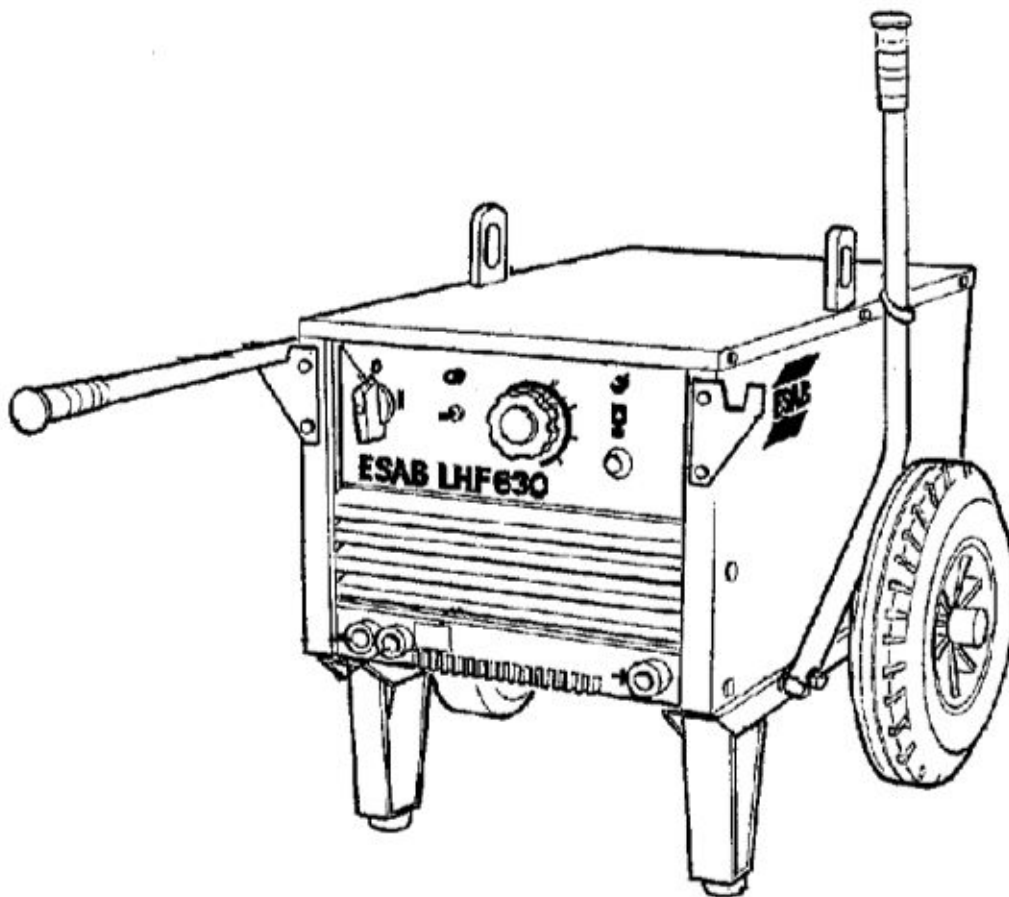




# ***LHF 250, LHF 400, LHF 630, LHF 800***



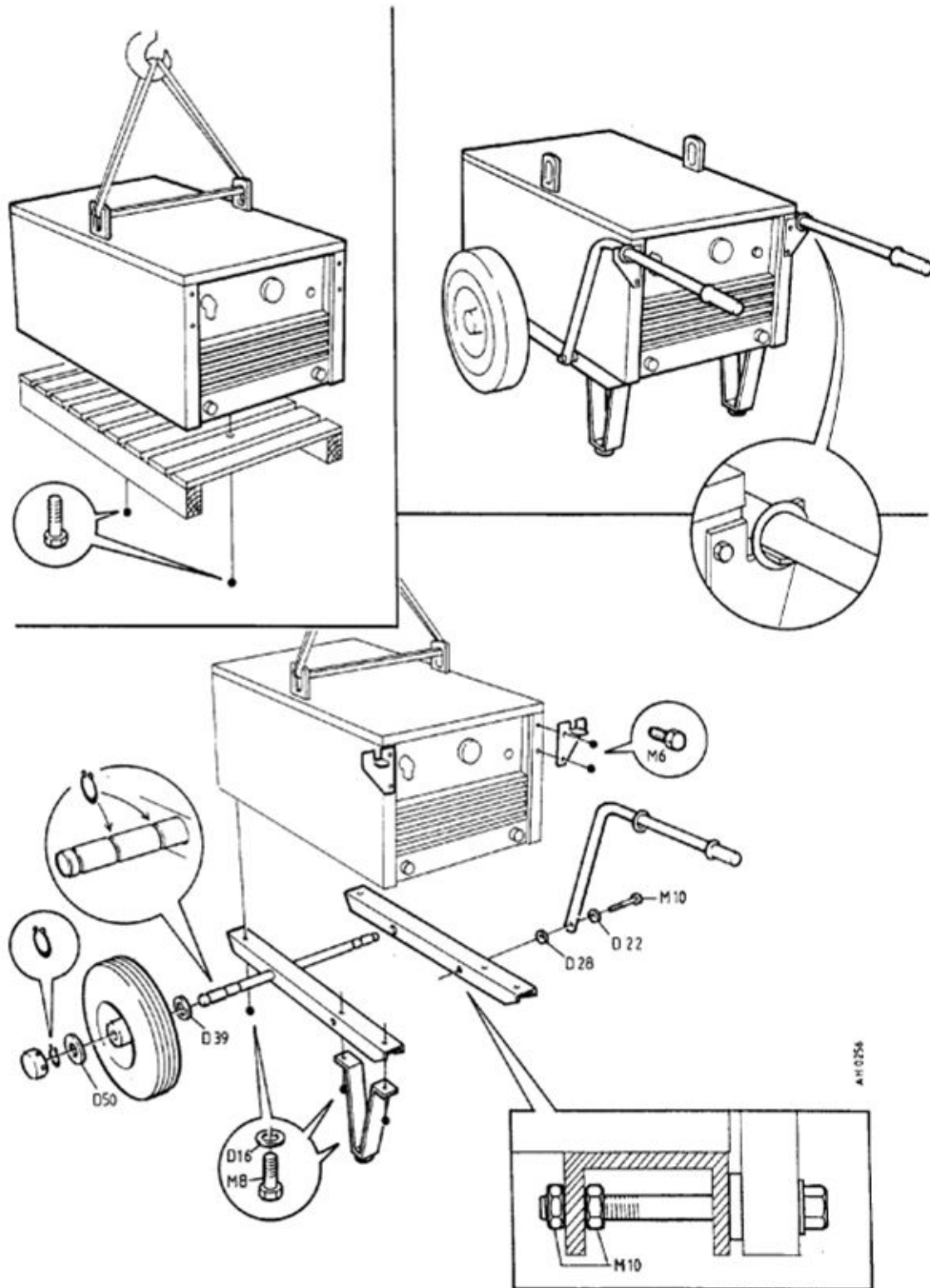
**Bruksanvisning  
Brugsanvisning  
Bruksanvisning  
Käyttöohjeet  
Instruction manual  
Betriebsanweisung**

**Manuel d'instructions  
Gebruiksaanwijzing  
Instrucciones de uso  
Istruzioni per l'uso  
Manual de instruções  
Οδηγίες χρήσεως**

SVENSKA .....	3
DANSK .....	9
NORSK .....	15
SUOMI .....	21
ENGLISH .....	27
DEUTSCH .....	33
FRANÇAIS .....	39
NEDERLANDS .....	45
ESPAÑOL .....	51
ITALIANO .....	57
PORTUGUÊS .....	63
ΕΛΛΗΝΙΚΑ .....	69

Rätt till ändring av specifikationer utan avisering förbehålles.  
Ret til ændring af specifikationer uden varsel forbeholdes.  
Rett til å endre spesifikasjoner uten varsel forbeholdes.  
Oikeudet muutoksiin pidätetään.  
Rights reserved to alter specifications without notice.  
Änderungen vorbehalten.  
Sous réserve de modifications sans avis préalable.  
Recht op wijzigingen zonder voorafgaande mededeling voorbehouden.  
Reservado el derecho de cambiar las especificaciones sin previo aviso.  
Ci riserviamo il diritto di variare le specifiche senza preavviso.  
Reservamo-nos o direito de alterar as especificações sem aviso prévio.  
Διατηρείται το δικαίωμα τροποποίησης προδιαγραφών χωρίς προειδοποίηση.

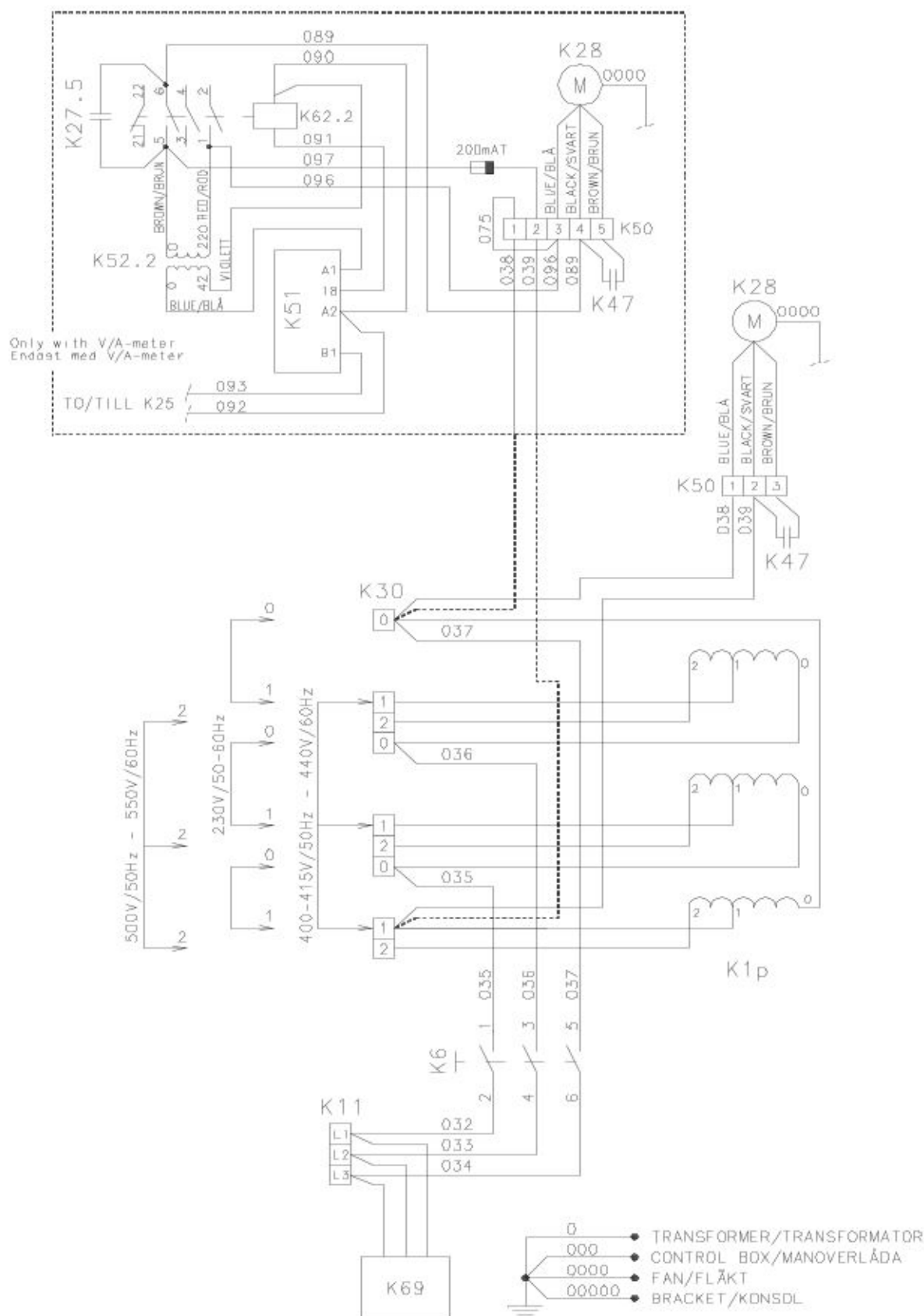
**Monteringsanvisning Monteringsvejledning Monteringsanvisning**  
**Asennusohjeet Assembly instructions Montierungsanweisung Instructions**  
**d'assemblage Montagevoorschriften Instrucciones de montaje Istruzioni di**  
**montaggio Instruções de montagem Οδηγίες τοποθέτησης**



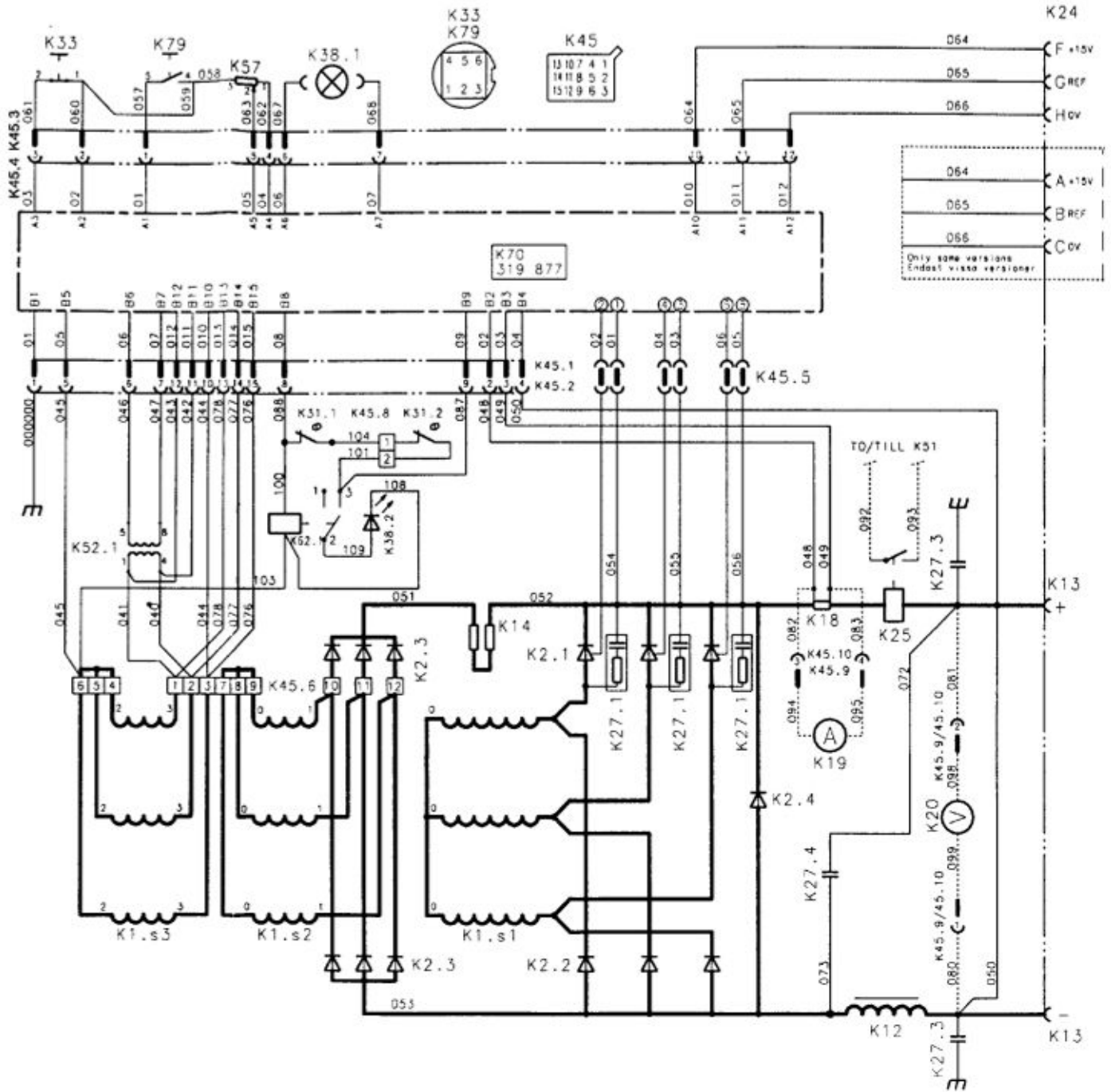
bh10d002

Schema Skema Skjema Johdotuskaavio Diagram Schaltplan Schéma  
 Schema Esquema Schema Esquema Σχήμα σύνδεσης

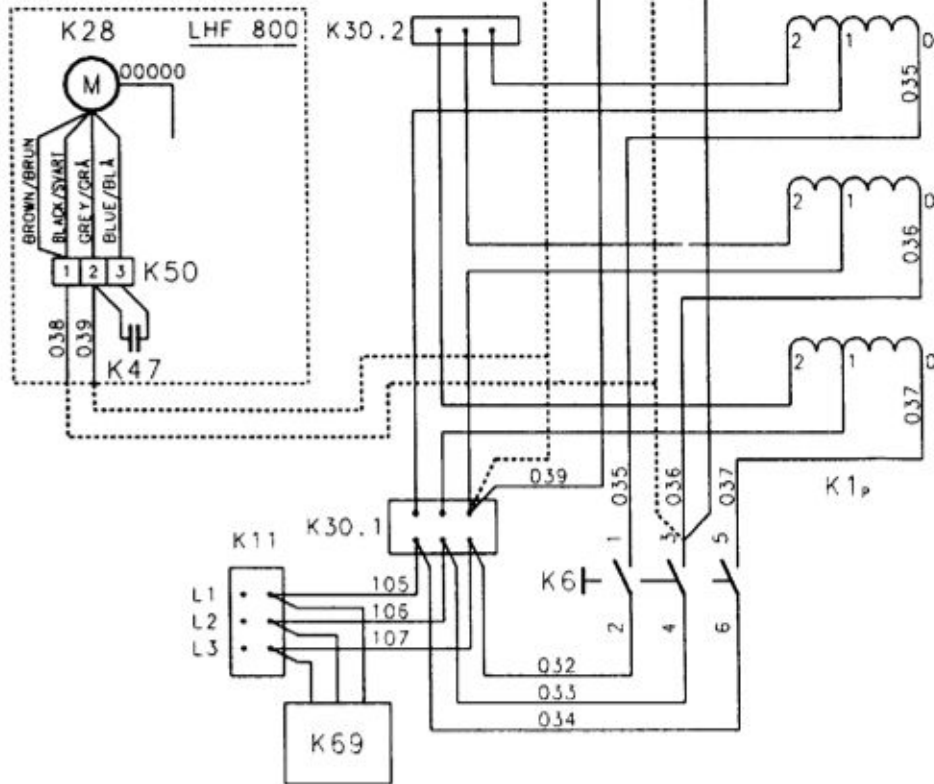
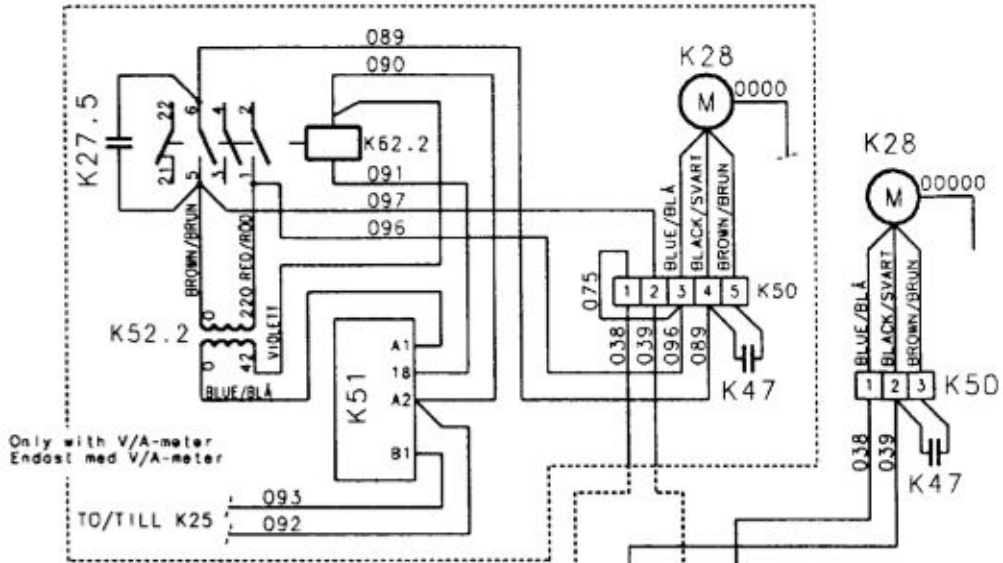
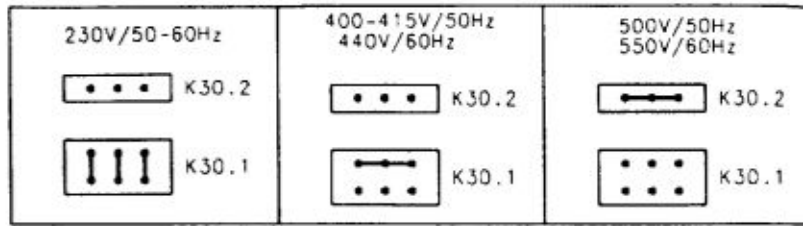
Prim. 250/400



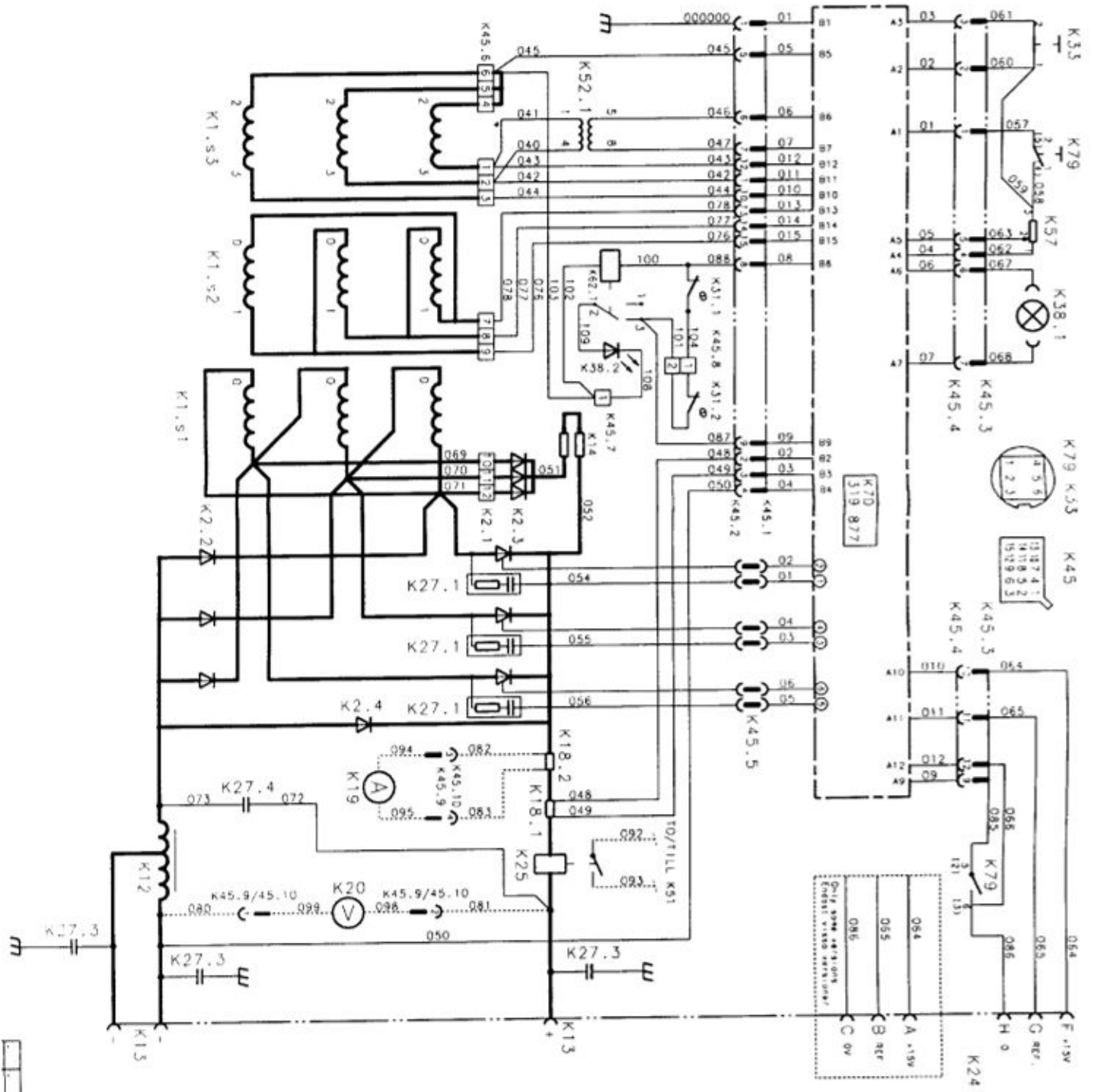
Sek. 250/400



Prim. 630/800



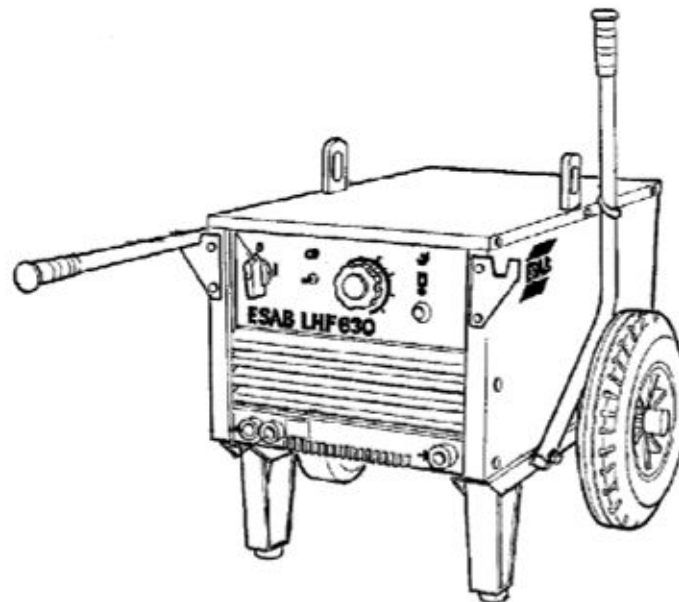
Sek. 630/800







Reservdelsförteckning Reservdelsfortegnelse Reservedelsliste  
Varaosaluettelo Spare parts list Ersatzteilliste Liste de pièces détachées  
Reserveonderdelenlijst Lista de repuestos Elenco ricambi Lista de peças  
sobressalentes Πίνακας ανταλλακτικών μερών



Valid for serial no. 906-xxx-xxxx

#### Ordering numbers for LHF 250, LHF 400, LHF 630, LHF 800

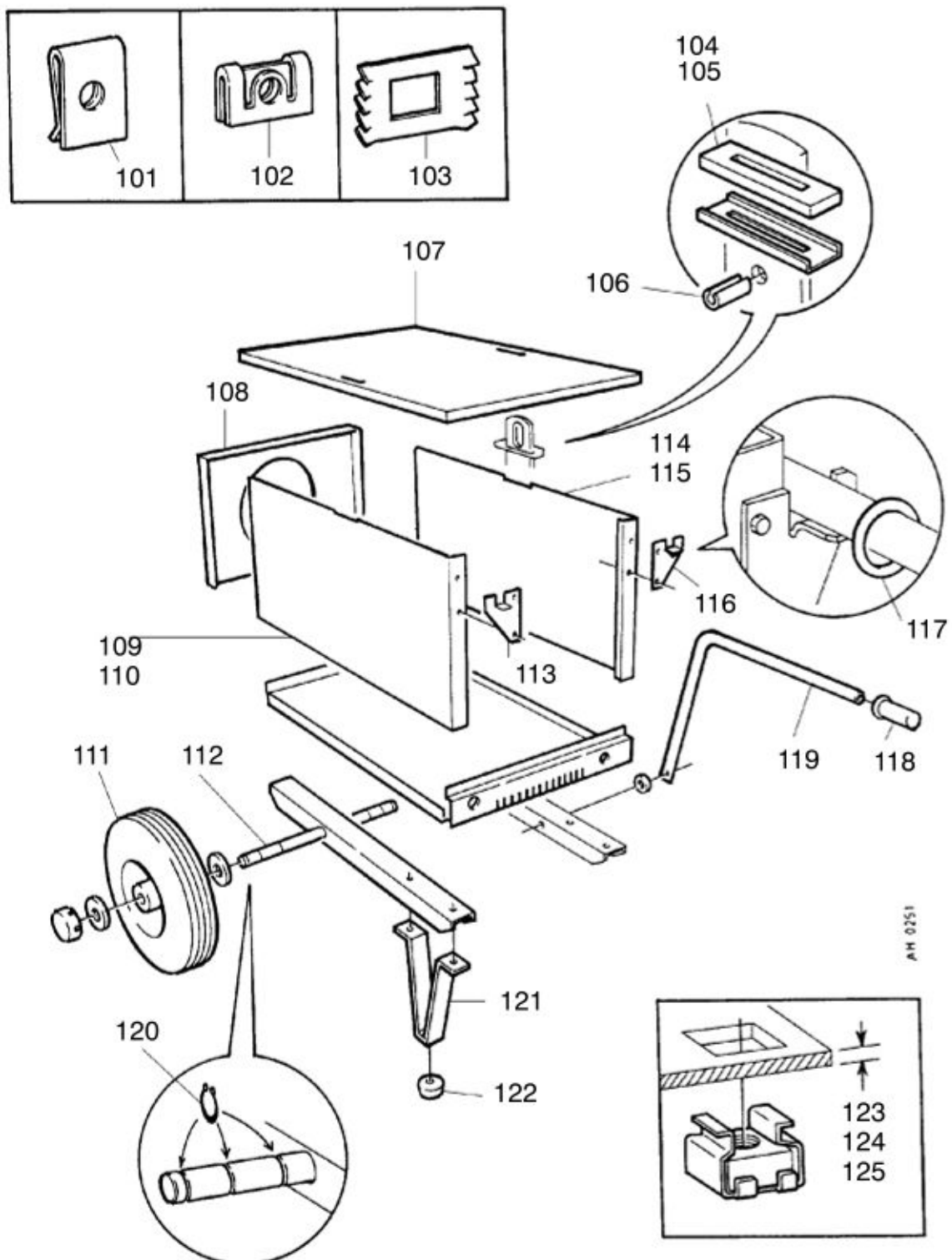
- 0319 782 882 LHF 250, 230/400/415/500V 50Hz, 230/440/550V 60Hz
- 0319 783 882 LHF 400, 230/400/415/500V 50Hz, 230/440/550V 60Hz
- 0319 783 886 LHF 400 Offshore, 230/400/415/500V 50Hz, 230/440/550V 60Hz
- 0319 950 882 LHF 630, 230/400/415/500V 50Hz, 230/440/550V 60Hz
- 0319 950 882 LHF 630 Offshore, 230/400/415/500V 50Hz, 230/440/550V 60Hz
- 0319 951 884 LHF 800 Offshore, 230/400/415/500V 50Hz, 230/440/550V 60Hz

Spare parts are to be ordered through the nearest ESAB agency as per the list on the back of the cover. Kindly indicate type of unit, serial number, denominations and ordering numbers according to the spare parts list.

Maintenance and repair work should be performed by an experienced person, and electrical work only by a trained electrician. Use only recommended spare parts.

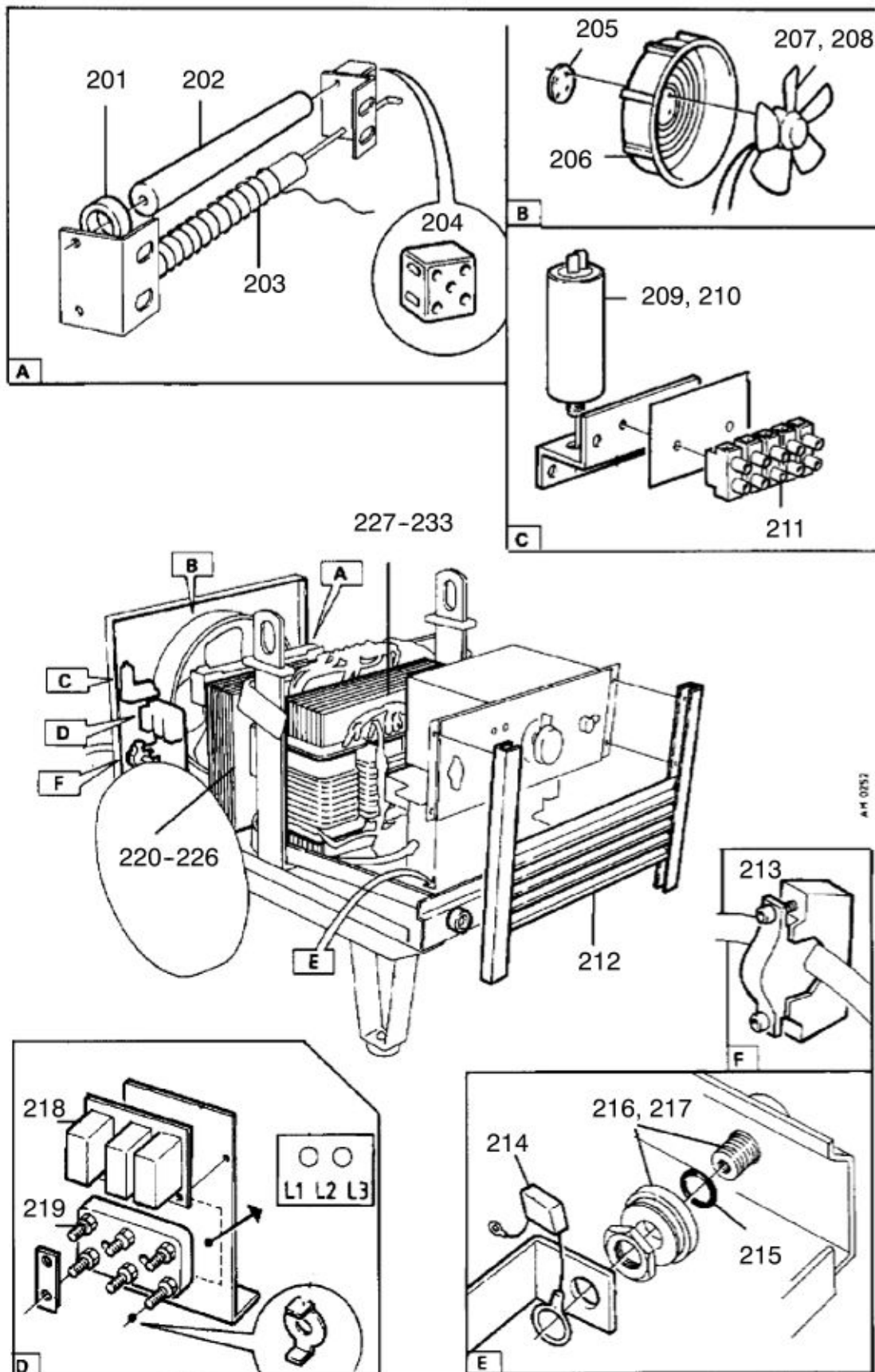
C = component designation in the circuit diagram

Item no.	Qty	Ordering no.	Denomination	Notes	C
101	12	0151 270 001	Quick-locking nut		
102	4	0192 547 001	Nut		
103	6	0320 029 002	Ground link		
104	2	0468 797 001	Gasket		
105	2	0468 796 001	Support plate		
106	2	02121 030 05			
107	1	0321 497 001	Top cover		
108	1	0455729 001	Side plate		
109	1	0469 937 002	Cover plate with screen		
110	1	0466 931 002	Cover with text	LHF 250	
111	2	0365 038 001	Wheel		
112	1	0365 046 001	Axle		
113	1	0320 939 002	Bracket left		
114	1	0469 937 001	Cover plate with screen		
115	1	0466 931 001	Cover with text	LHF 250	
116	1	0320 939 001	Bracket right		
117	2	0321 001 001	Ring		
118	2	02188 012 02	Rubber handle		
119	2	0321 000 001	Handle		
120	6	02157 010 19	Circlip		
121	2	0319 738 001	Foot		
122	2	0319 455 002	Foot		
123	8	0192 562 105	Nut	M6/t=0.7-1.6	
124	4	0192 562 106	Nut	M6/t=1.8-2.6	
125	21	0192 562 108	Nut	M8/t=1.8-2.6	



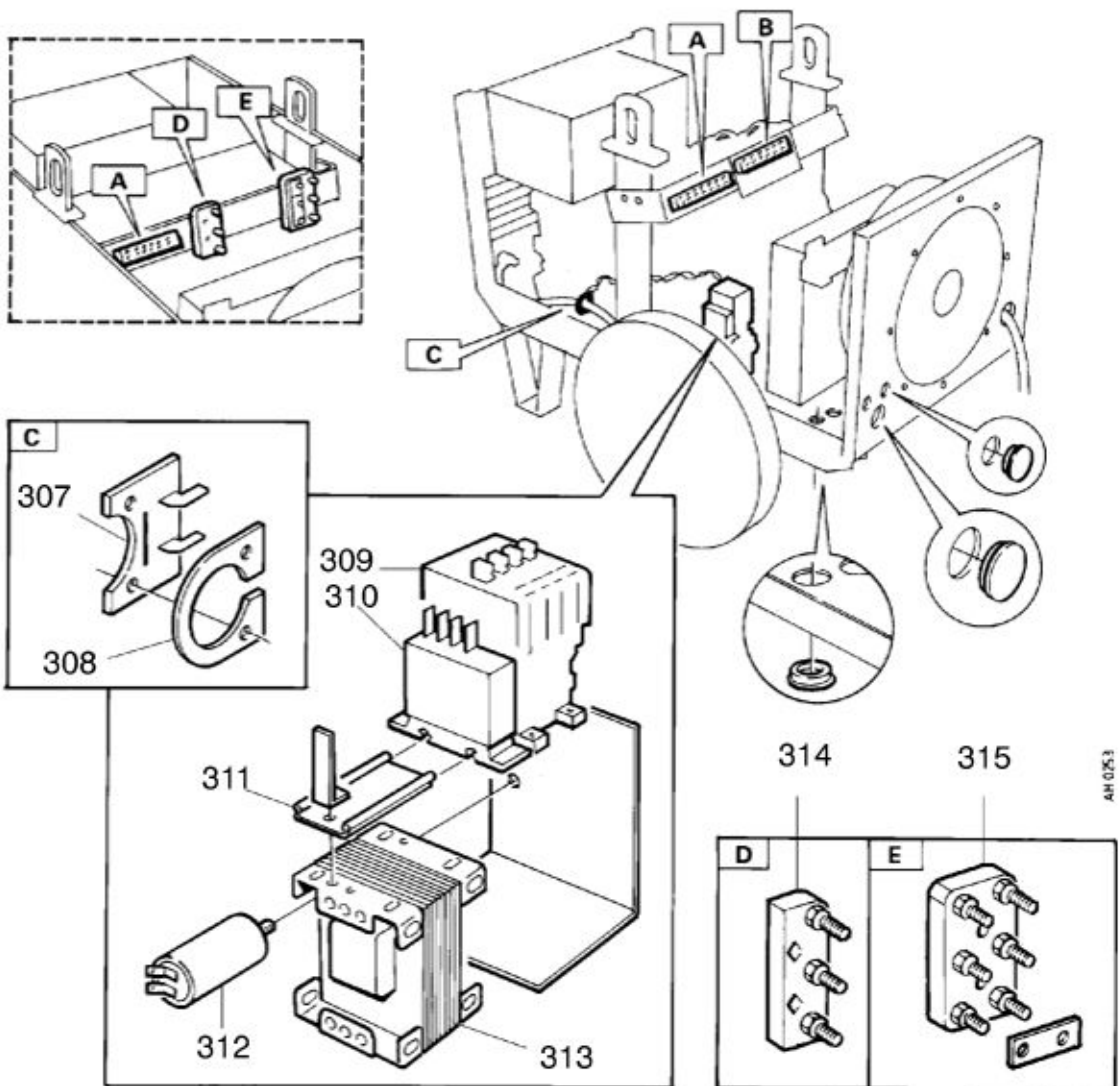
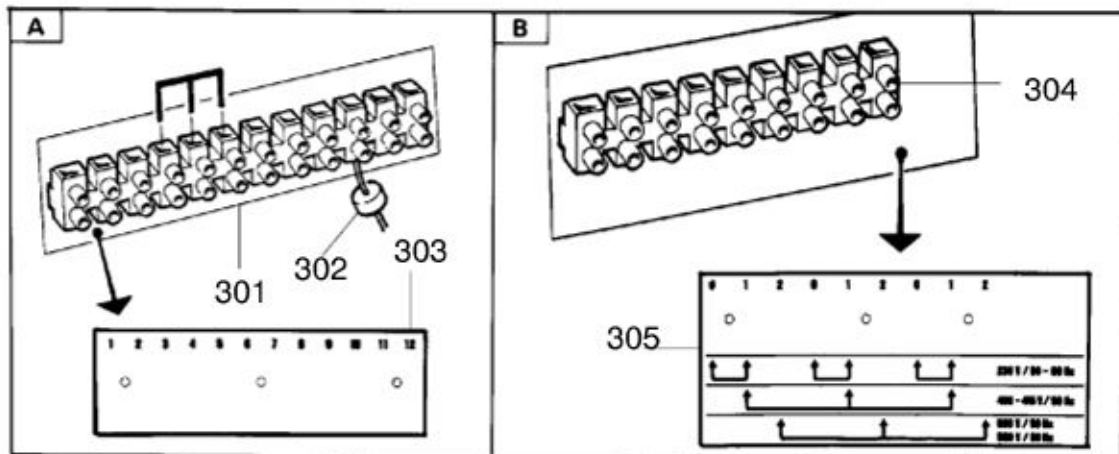
C = component designation in the circuit diagram

Item no.	Qty	Ordering no.	Denomination	Notes	C
201	2	0318 980 001	Insulating ring		
202	2	0317 660 001	Element rod		
203	1	0162 548 005	Resistor		K14
204	1	00407 055 01	Connection block	2 pole	
205	1	0320 178 001	Washer		
206	1	0319 838 001	Fan casing		
207	1	0162 430 001	Fan	LHF 250/400/800	K28
208	1	0162 430 002	Fan	LHF 800	K28
209	1	0191 085 202	Capacitor, 2uf, 400V	LHF 250/400/630	K47
210	1	0191 085 106	Capacitor	LHF 800	K47
211	1	0193 587 005	Connection block	5 pole	K50
212	1	0320 131 880	Front panel		
213	1	0469 950 880	Cable clamp		
214	2	0320 805 881	Capacitor		K27.3
215	2	0215 201 218	Seal o-ring, 24.2x3	LHF 250, LHF 400	
	3	0215 201 218	Seal o-ring, 24.2x3	LHF 630, LHF 800	
216	2	0160 362 881	Cable connector OKC 50	LHF 250, LHF 400	K13
	3	0160 362 881	Cable connector OKC 50	LHF 630	K13
217	3	0160 362 882	Cable connector OKC 120	LHF 800	K13
218	1	0486 216 880	Filter		K69
219	1	0162 772 001	Connection block		K11
220	1	0319 774 880	Choke	LHF 250	K12
221	1	0319 774 883	Inductor	LHF 250	K12
222	1	0319 774 881	Inductor	LHF 400	K12
223	1	0319 774 882	Inductor	LHF 400 Offshore	K12
224	1	0319 944 880	Inductor	LHF 630	K12
225	1	0319 944 882	Inductor	LHF 630 Offshore	K12
226	1	0319 944 883	Inductor	LHF 800 Offshore	K12
227	1	0469 920 880	Transformer	LHF 250	K1
228	1	0469 920 881	Transformer	LHF 250 Offshore	K1
229	1	0469 920 882	Transformer	LHF 400	K1
230	1	0469 920 883	Transformer	LHF 400 Offshore	K1
231	1	0469 923 880	Transformer	LHF 630	K1
232	1	0469 923 881	Transformer	LHF 630 Offshore	K1
233	1	0469 923 883	Transformer	LHF 800 Offshore	K1



C = component designation in the circuit diagram

Item no.	Qty	Ordering no.	Denomination	Notes	C
301	1	0193 655 012	Terminal	12 pole	K45.6
302	6	0192 716 004	Diode	6A 400W LHF 250, LHF 400	K2.3
	3	0192 716 004	Diode	6A 400W LHF 630, LHF 800	K2.3
303	1	0469 947 001	Sign		
304	1	0162 781 008	Connection block	9 pole	K30
305	1	0456 111 001	Sign		
307	1	0341 035 880	Circuit board	Current relay	K25
308	1	0156 688 001	Magnetic plate		K25
309	1	0193 296 101	Contactator		K62.2
310	1	0193 764 001	Time relay		K51
311	1	0193 298 101	Bar		
312	1	0191 085 202	Capacitor	2uF, 400V	K27.5
313	1	0365 028 001	Control transformer		K52.2
314	1	0162 772 001	Connection block	3 pole	K30.2
315	1	0040 894 001	Connection block	6 pole	K30

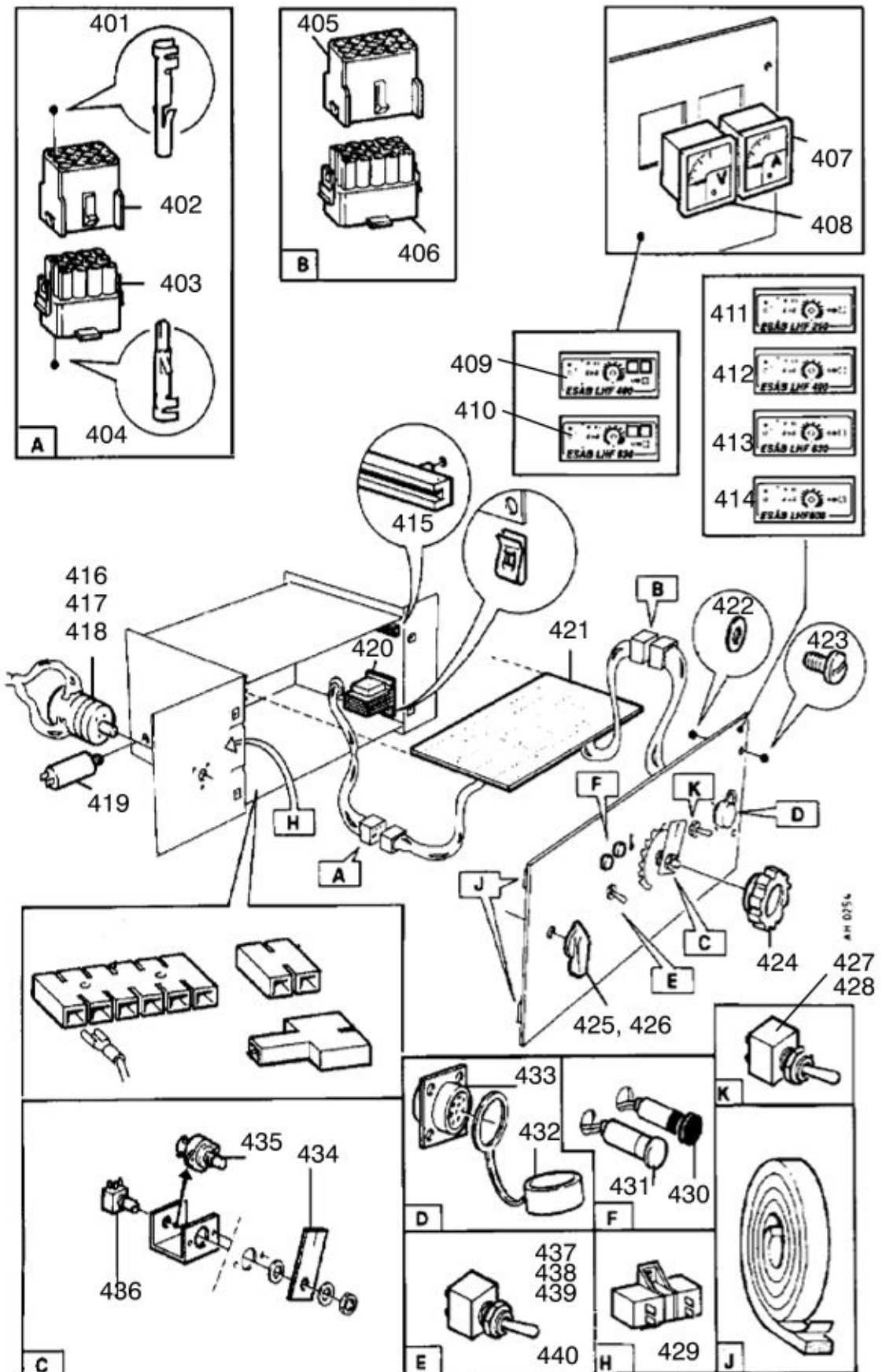


AN 0263

C = component designation in the circuit diagram

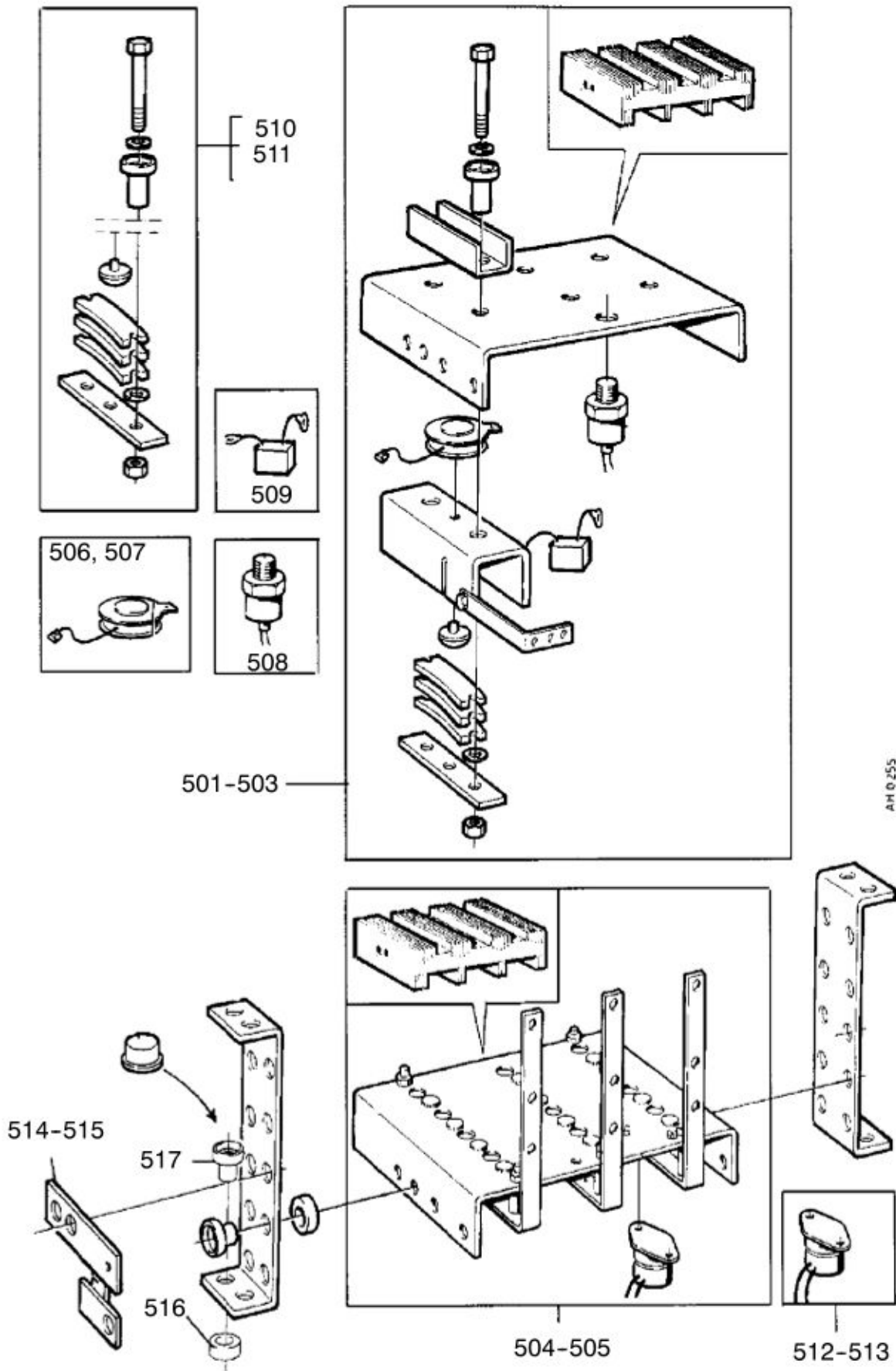
Item no.	Qty	Ordering no.	Denomination	Notes	C
401	23	0192 784 102	Cap		
402	1	0192 784 014	Socket	12 pole	K45.4
403	1	0192 784 013	Connector pin plug	12 pole	K45.3
404	23	0192 784 101	Pin		
405	1	0192 784 016	Sleeve plug	15 pole	K45.2
406	1	0192 784 015	Plug	15 pole	K45.1
407	1	0320 498 002	Ammeter		K19
408	1	0320 497 001	Voltmeter		K20
409	1	0469 929 001	Front plate	LHF 400 V/A	
410	1	0469 932 001	Front plate	LHF 630 V/A	
411	1	0469 927 001	Front plate	LHF 250	
412	1	0469 928 001	Front plate	LHF 400	
413	1	0469 930 001	Front plate	LHF 630	
414	1	0469 933 001	Front plate	LHF 800	
415	2	0365 745 001	Circuit card holder		
416	1	0320 745 001	Switch	LHF 250	K6
417	1	0320 745 002	Circuit braker	LHF 400	K6
418	1	0320 745 003	Switch	LHF 630/800	K6
419	1	0192 884 002	Capacitor	5uF	K27.4
420	1	0319 828 001	Transformer		K52.1
421	1	0319 876 880	Circuit card		K70, K45.1, K45.4
422	2	0468 797 001	Gasket		
423	4	02121 086 49	Screw	M6x12	
424	1	02188 107 84	Knob		
425	1	0318 113 003	Knob	LHF 250/400	
426	1	0318 113 004	Knob	LHF 630/800	
427	1	0147 866 001	Toggle switch		K79
428	1	0193 219 001	Toggle switch	Offshore	K79
429	1	0194 057 008	Relay		K62.1
430	1	0369 733 009	Indicating lamp	Yellow	K38.2
431	1	0369 733 008	Indicating lamp	White	K38.1
432	1	0366 285 001	Dust cap	12 pole	
433	1	0368 544 003	Burndy socket	12 pole	
434	1	0319 187 001	Indicator		
435	1	0317 942 001	Gearing for rheostat		
436	1	0192 724 007	Potentiometer		K57
437	1	0147 866 001	Toggle switch	LHF 250/400	K33
438	1	0193 219 001	Toggle switch	LHF 250/400 Offshore	K33
439	1	0147 866 002	Toggle switch	LHF 630/800	K33
440	1	0193 219 002	Toggle switch	LHF 630/800 Offshore	K33





C = component designation in the circuit diagram

Item no.	Qty	Ordering no.	Denomination	Notes	C
			<b>Rectifier bridge</b>		
501	1	0319 690 884	Thyristor bridge	LHF 400 Offshore	K2.1
502	1	0319 690 882	Thyristor bridge	LHF 630	K2.1
503	1	0319 932 880	Thyristor bridge	LHF 800	K2.1
504	1	0319 904 880	Diode bridge	LHF 400 Offshore, LHF 630	K2.2
505	1	0319 923 880	Diode bridge	LHF 800	K2.2
506	3	0320 028 002	Thyristor	LHF 400 Offshore, LHF 630	K2.1
507	3	0320 946 001	Thyristor	LHF 800	K2.1
508	1	0490 600 606	Diode	LHF 400 Offshore, LHF 630	K2.4
	2	0490 600 606	Diode	LHF 800	K2.4
509	3	0041 051 606	Contact protection		K27.1
510	3	0319 690 883	Tensioning device	LHF 400 Offshore, LHF 630	
511	3	0319 932 881	Tensioning device	LHF 800	
512	1	0319 999 001	Thermal Relay	LHF 400 Offshore, LHF 630 Offshore, LHF 800	K31.1
513	1	0368 020 001	Thermal Relay	LHF 630	K31.1
514	1	0319 911 880	Shunt	LHF 630	K18
515	1	0319 911 881	Shunt	LHF 800	K18
516		0163 139 001	Bushing		
517		0162 414 002	Insulating tube		



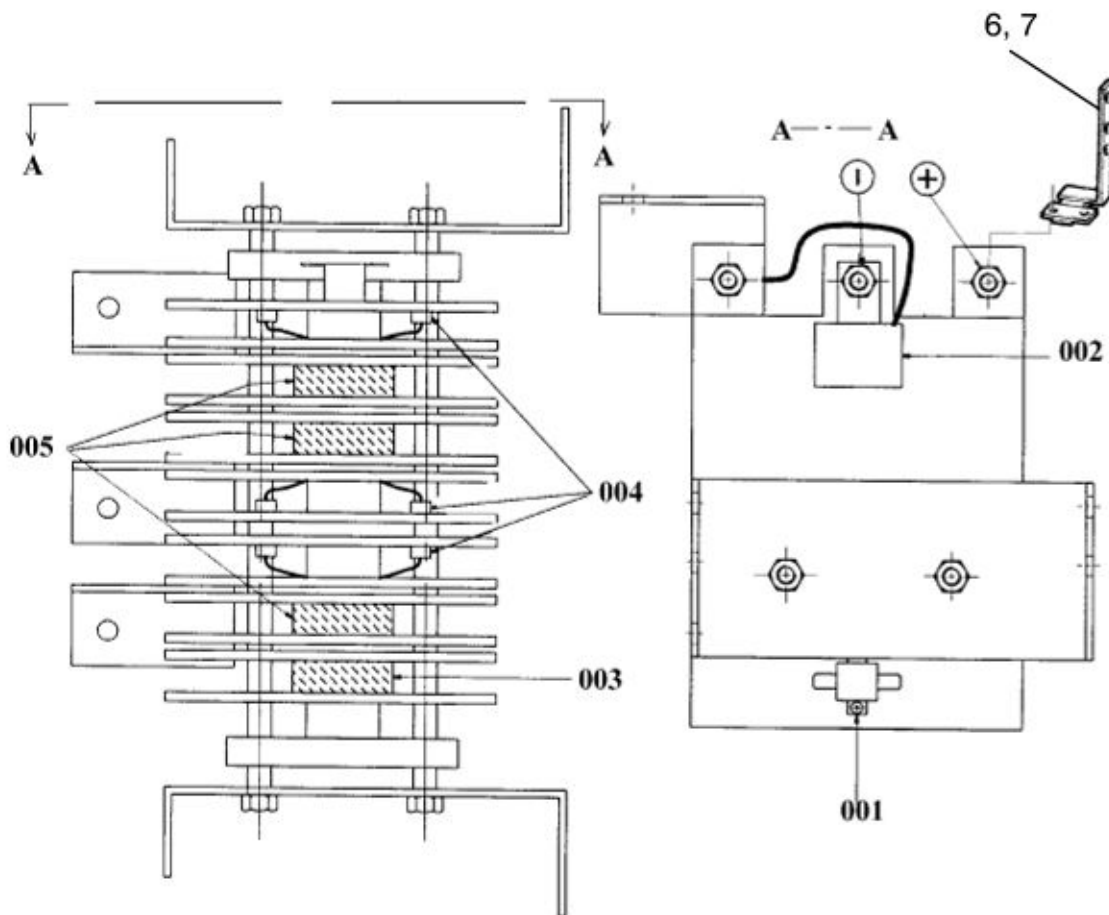
AM 0255

bh10s005

Rectifier bridge for LHF 250, LHF 400 From serial No. 906.

C = component designation in the circuit diagram

Item no.	Qty	Ordering no.	Denomination	Notes	C
		<b>0458 219 880</b>	<b>Rectifier bridge compl.</b>		
001	1	0458 219 001	Thermal cutout		K31.1
002	1	0458 219 002	Filter		K27.1
003	1	0458 219 003	Diode		K2.4
004	3	0458 219 004	Rectifier bridge		K2.2
005	3	0320 028 008	Thyristor		K2.1
006	1	0320 558 880	Shunt	LHF 400	K18
007	1	0320 558 881	Shunt	LHF 250	K18





# ESAB subsidiaries and representative offices

## Europe

### AUSTRIA

ESAB Ges.m.b.H  
Vienna-Liesing  
Tel: +43 1 888 25 11  
Fax: +43 1 888 25 11 85

### BELGIUM

S.A. ESAB N.V.  
Brussels  
Tel: +32 2 745 11 00  
Fax: +32 2 726 80 05

### THE CZECH REPUBLIC

ESAB VAMBERK s.r.o.  
Prague  
Tel: +420 2 819 40 885  
Fax: +420 2 819 40 120

### DENMARK

Aktieselskabet ESAB  
Copenhagen-Valby  
Tel: +45 36 30 01 11  
Fax: +45 36 30 40 03

### FINLAND

ESAB Oy  
Helsinki  
Tel: +358 9 547 761  
Fax: +358 9 547 77 71

### FRANCE

ESAB France S.A.  
Cergy Pontoise  
Tel: +33 1 30 75 55 00  
Fax: +33 1 30 75 55 24

### GERMANY

ESAB GmbH  
Solingen  
Tel: +49 212 298 0  
Fax: +49 212 298 204

### GREAT BRITAIN

ESAB Group (UK) Ltd  
Waltham Cross  
Tel: +44 1992 76 85 15  
Fax: +44 1992 71 58 03

### ESAB Automation Ltd

Andover  
Tel: +44 1264 33 22 33  
Fax: +44 1264 33 20 74

### HUNGARY

ESAB Kft  
Budapest  
Tel: +36 1 20 44 182  
Fax: +36 1 20 44 186

### ITALY

ESAB Saldatura S.p.A.  
Mesero (Mi)  
Tel: +39 02 97 96 81  
Fax: +39 02 97 28 91 81

### THE NETHERLANDS

ESAB Nederland B.V.  
Utrecht  
Tel: +31 30 248 59 22  
Fax: +31 30 248 52 60

### NORWAY

AS ESAB  
Larvik  
Tel: +47 33 12 10 00  
Fax: +47 33 11 52 03

### POLAND

ESAB Sp.z.o.o  
Warszaw  
Tel: +48 22 813 99 63  
Fax: +48 22 813 98 81

### PORTUGAL

ESAB Lda  
Lisbon  
Tel: +351 1 837 1527  
Fax: +351 1 859 1277

### SLOVAKIA

ESAB Slovakia s.r.o.  
Bratislava  
Tel: +421 7 44 88 24 26  
Fax: +421 7 44 88 87 41

### SPAIN

ESAB Ibérica S.A.  
Alcobendas (Madrid)  
Tel: +34 91 623 11 00  
Fax: +34 91 661 51 83

### SWEDEN

ESAB Sverige AB  
Gothenburg  
Tel: +46 31 50 95 00  
Fax: +46 31 50 92 22

### ESAB International AB

Gothenburg  
Tel: +46 31 50 90 00  
Fax: +46 31 50 93 60

### SWITZERLAND

ESAB AG  
Dietikon  
Tel: +41 1 741 25 25  
Fax: +41 1 740 30 55

## North and South America

### ARGENTINA

CONARCO  
Buenos Aires  
Tel: +54 11 4 753 4039  
Fax: +54 11 4 753 6313

### BRAZIL

ESAB S.A.  
Contagem-MG  
Tel: +55 31 333 43 33  
Fax: +55 31 361 31 51

### CANADA

ESAB Group Canada Inc.  
Mississauga, Ontario  
Tel: +1 905 670 02 20  
Fax: +1 905 670 48 79

### MEXICO

ESAB Mexico S.A.  
Monterrey  
Tel: +52 8 350 5959  
Fax: +52 8 350 7554

### USA

ESAB Welding & Cutting Products  
Florence, SC  
Tel: +1 843 669 44 11  
Fax: +1 843 664 44 58

## Asia/Pacific

### AUSTRALIA

ESAB Australia Pty Ltd  
Ermington  
Tel: +61 2 9647 1232  
Fax: +61 2 9748 1685

### CHINA

Shanghai ESAB A/P  
Shanghai  
Tel: +86 21 6539 7124  
Fax: +86 21 6543 6622

### INDIA

ESAB India Ltd  
Calcutta  
Tel: +91 33 478 45 17  
Fax: +91 33 468 18 80

### INDONESIA

P.T. Esabindo Pratama  
Jakarta  
Tel: +62 21 460 01 88  
Fax: +62 21 461 29 29

### MALAYSIA

ESAB (Malaysia) Snd Bhd  
Selangor  
Tel: +60 3 703 36 15  
Fax: +60 3 703 35 52

### SINGAPORE

ESAB Singapore Pte Ltd  
Singapore  
Tel: +65 861 43 22  
Fax: +65 861 31 95

### ESAB Asia/Pacific Pte Ltd

Singapore  
Tel: +65 861 74 42  
Fax: +65 863 08 39

### SOUTH KOREA

ESAB SeAH Corporation  
Kyung-Nam  
Tel: +82 551 289 81 11  
Fax: +82 551 289 88 63

### UNITED ARAB EMIRATES

ESAB Middle East  
Dubai  
Tel: +971 4 338 88 29  
Fax: +971 4 338 87 29

## Representative offices

### BULGARIA

ESAB Representative Office  
Sofia  
Tel/Fax: +359 2 974 42 88

### EGYPT

ESAB Egypt  
Dokki-Cairo  
Tel: +20 2 390 96 69  
Fax: +20 2 393 32 13

### ROMANIA

ESAB Representative Office  
Bucharest  
Tel/Fax: +40 1 322 36 74

### RUSSIA-CIS

ESAB Representative Office  
Moscow  
Tel: +7 095 937 98 20  
Fax: +7 095 937 95 80

### ESAB Representative Office

St Petersburg  
Tel: +7 812 325 43 62  
Fax: +7 812 325 66 85

## Distributors

*For addresses and phone numbers to our distributors in other countries, please visit our home page*

[www.esab.net](http://www.esab.net)



ESAB AB  
SE-695 81 LAXÅ  
SWEDEN  
Phone +46 584 81 000  
Fax +46 584 123 08

[www.esab.net](http://www.esab.net)

